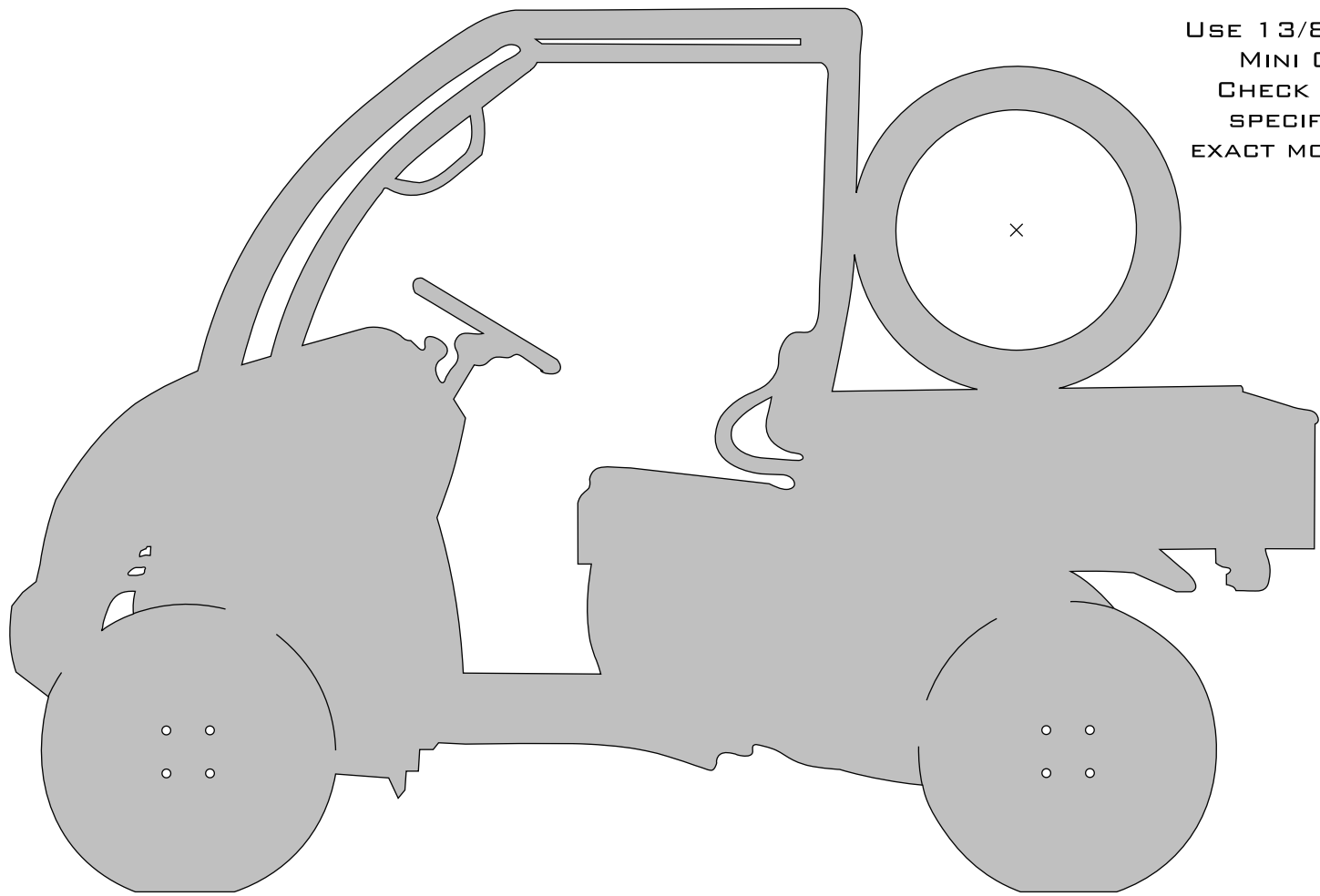


USE 1 3/8" OR 1 7/16"
MINI CLOCK INSERT
CHECK YOUR CLOCKS
SPECIFICATIONS FOR
EXACT MOUNTING HOLE
DIAMETER



BASE - SIDE VIEW

BASE - 3/8" x 2" x 8 1/2"